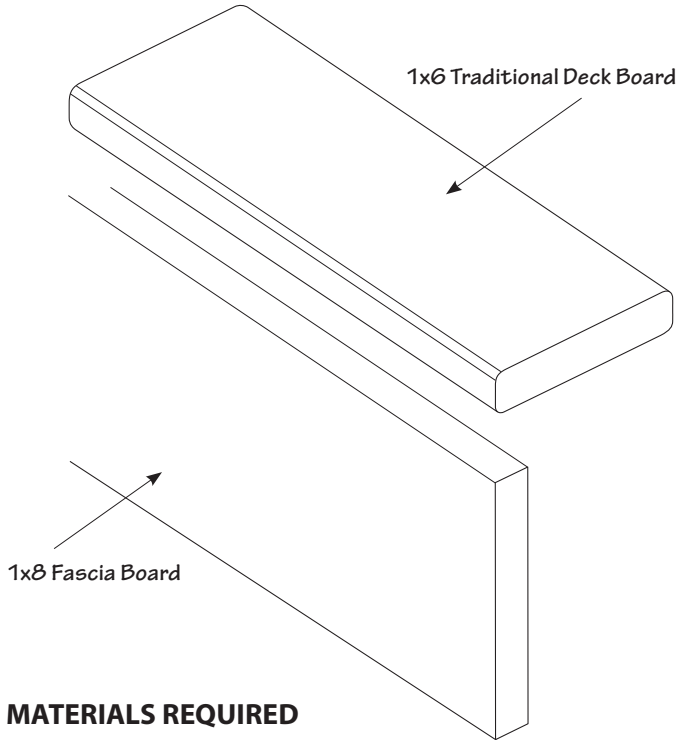


Traditional Deck Board Installation Guide

Embellish decking system as shown in this guide has ICC-ES approval (ESR-2051).



MATERIALS REQUIRED

EMBELLISH MATERIALS

- Traditional 1x6 Solid Deck Boards
- 1x8 Fascia Boards

GENERAL MATERIALS

- Substructure Material (Pressure Treated Wood)
- #10 x 2 3/4" S/S (Stainless Steel) Deck Screws

TOOLS REQUIRED

- Chop/Skill Saw
- Screw Gun (drill), Fastener Bit
- Framing Square
- Level
- Jigsaw
- Measuring Tape and Pencil

DECKING INSTALLATION INSTRUCTIONS

Note: Read installation instructions carefully before starting construction on your deck.

1. Lay the 1st decking board onto a deck at the house or at the rim joist and mark locations for all fasteners above the ledger or rim joist spaced maximum 16" o.c. all along the board's length. Use of countersink adapter is recommended for screw heads to be nicely flush with decking surface. For all other fasteners going into supporting joist running perpendicular to decking board pre-drill pilot

holes with #8 countersink tool. Use two #10 x 2 3/4" stainless steel deck screws for each board at each joist.

NOTE: Do not over torque screws into decking boards. Screw heads should be flush with deck surface.

2. Place 3/16" spacers between 1st and 2nd board and fasten the 2nd board to substructure with two #10 x 2 3/4" S/S deck screws per joist and continue in the same manner towards the other end, board by board.

3. Maximum length of single board deck is 20'. In multiple boards decking configuration the maximum length should not exceed 16'.

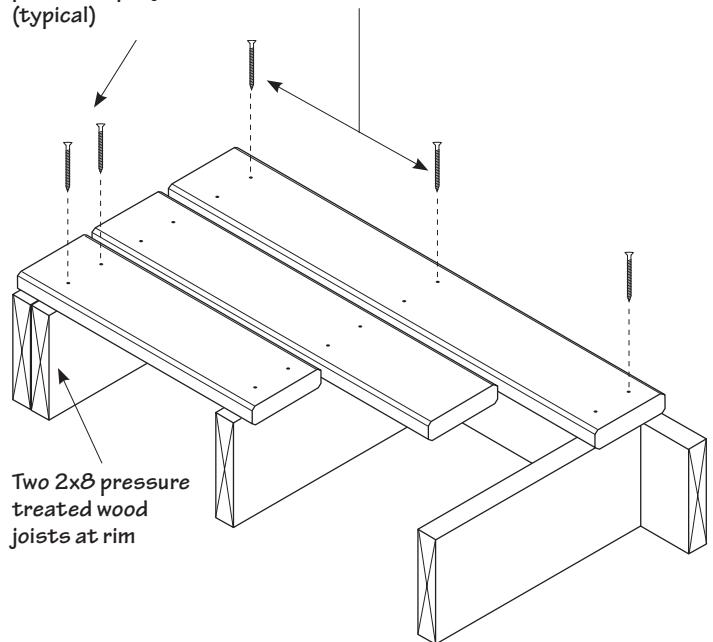
4. Do not trim the boards individually. Once all boards are laid on a deck, trim the decking boards 1/4" short of the joist edge.

5. Fascia board installation as shown on reverse side is optional.

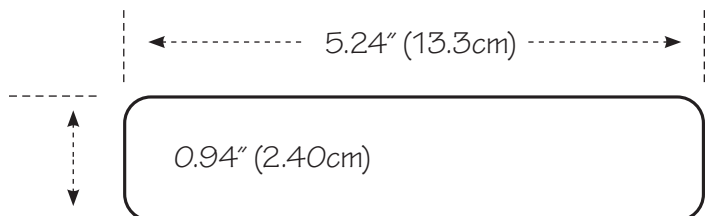
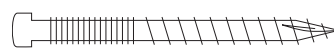
Note: Do not toe-nail screws into deck boards.

Two #10 x 2 3/4" S/S deck screws per board, per joist (typical)

#10 x 2 3/4" S/S deck screws at 16" on center (typical)



#10 x 2 3/4" Stainless Steel Deck Screw



IMPORTANT:

1. INTENDED USE: For residential decking only. Maximum support spacing 16" on center.

2. GAPPING INSTRUCTIONS: For butt joints, below 35° F (2° C) leave a 3/16" gap, above 35° F (2° C) a 1/8" gap. For board ends at edge of deck, below 35° F (2° C) leave a 1/2" gap, above 35° F (2° C) a 1/4" gap. Minimum side-to-side gap between boards is 3/16".

3. FASTENING INSTRUCTIONS: Use two #10 x 2 3/4" stainless steel deck screws for every board at each joist. Use only fasteners approved by manufacturer for type of pressure treated wood in substructure. Pre-drill pilot holes with #8 countersink tool for all fasteners. Install fasteners minimum 1 1/4" from the board's end and 3/4" from sides to prevent the board from splitting. Use sister joist at rim and for all butt joints.

